

G3

INFINITY KNEE



M A N U A L



WARRANTY

Leftside Industries Inc. warrants its products to be free from defects in materials and workmanship for a period of 36 months from date of purchase. This warranty is non-transferable and void if the serial number or production code has been altered, defaced or removed. Claims must be accompanied by original proof of purchase. All shipping costs are the responsibility of the party making the warranty claim.

This warranty does not apply to products that have been modified, incorrectly installed and improperly adjusted. This warranty does not apply to normal wear, crash impacts, abuse, or non-compliance with the manufacturer's specifications.

Final determination of warranty claims is at the sole discretion of Leftside Industries Inc.

LIMITATIONS OF LIABILITY

To the extent allowed by local law, except for the obligations specifically set forth in this warranty statement, in no event shall SRAM or its third party suppliers be liable for direct, indirect, special, incidental, or consequential damages.

LIMITATIONS OF WARRANTY

This warranty does not apply to consumable parts which will wear out through normal operation of the knee. Damage may result as a result of incorrect installation or improper use in conditions or applications other than those recommended by the manufacturer.

Consumable Parts are identified below and are NOT covered by the 36 month warranty.

- Urethane Tendons
- Variable Extension Dampening Bumpers
- Protective Rubber Cover
- Crossflex™ Adjustable Pre-Flexion Wedges
- Shock

Service / Technical Contact Information

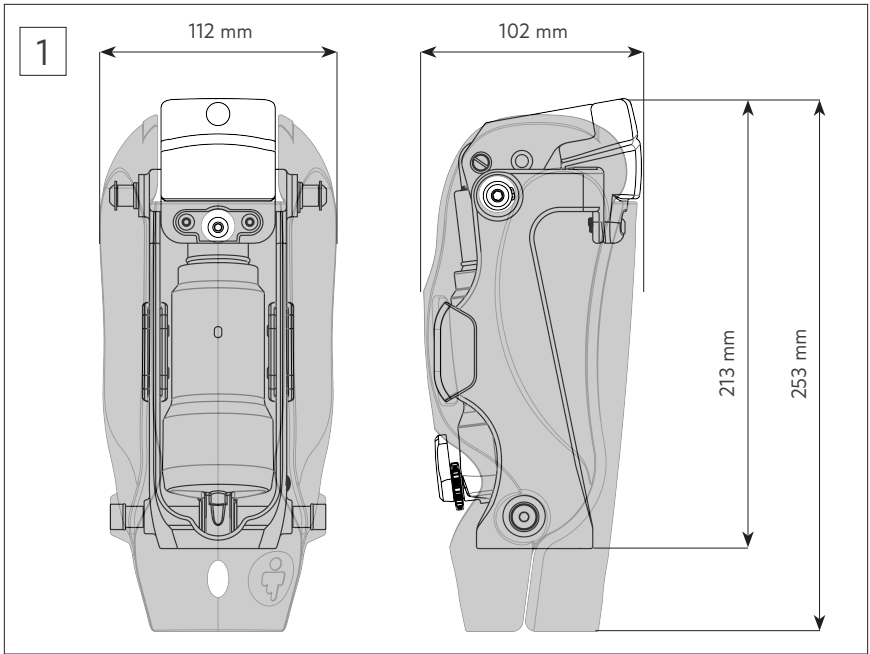
Leftside Industries Inc.

Phone: 800.507.4856

10:00AM - 4:00PM PST

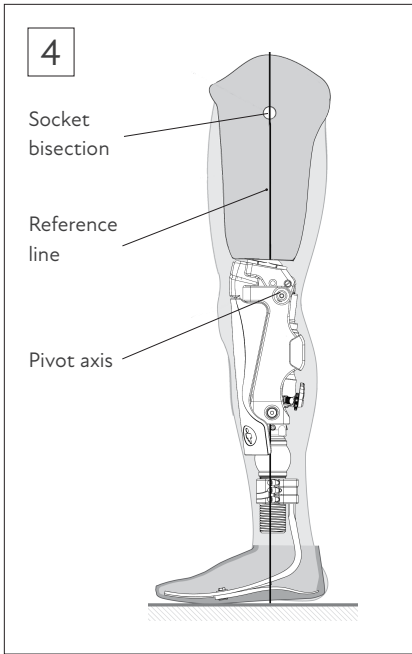
Email: info@leftside.life

4616 25th Ave NE [#285] Seattle, WA 98105



- Maximum weight 125kg (275lbs)
- Net weight 908g (2lbs)
- Build height 213 mm
- 8° to 150° Knee flexion available





Alignment | Initial Ambulation

- Establish knee center height
- Recommend 5° of socket flexion
- Position socket where alignment reference line bisects lateral wall at the ischial level of the socket passing through or slightly posterior to the knee axis
- Remove any residual air pressure
- Set shock settings to zero position



Warning! If patient is not stable they can fall during this stage of fitting.



Premature knee flexion may result from weight line position too posterior to the knee axis.



If weight line is too anterior to knee axis, more effort will be required to create a hyperextension moment.

G3 Infinity Knee - Kit Contents

- Crossover™ ultra lightweight 6061-T aluminum frame with stainless steel inserts
- 75 durometer-rated Variable Extension Dampening “VED” bumpers (installed)
- Removeable protective rubber impact covers
- A pair of urethane tendons, 236 mm long
- Removeable X/CAM™ system
- Crossflex™ preflexion foam wedges: 20°/ 30°/ 40°
- Shock Pump
- User Manual
- Warranty Card



The following items are classified as “Consumable Products” requiring replacement when visual wear, cracks, or tears are present:

- Urethane Tendons
- VED Dampening Bumpers
- Crossflex™ Preflexion Foam Wedges

5

Shock



Adjustable Shock Controls

Flexion Resistance | Blue Lever

Controls “**dampening**” with two positions



Unlock = Lowest Flexion Resistance



Lock = Highest Flexion Resistance

Extension Resistance | Red Dial

Controls “**rebound**” with 10 Micro-Adjustments



Counter-Clockwise Rotation = Faster Rebound



Clockwise Rotation = Slower Rebound



Image orientation reflects actual orientation of shock when installed in the G3 Infinity Knee Frame

Air Pressure Adjustments

Flexion and Extension can be influenced by adjusting shock pressure

- High air pressures create more resistance for heavy impact activities
- Lower air pressures best suited for ambulatory use
- Maximum air pressure rating is 300 psi

Setting Shock for Initial Ambulation

Step 1 - Zero Set Point

- Set Blue Lever to Unlock position
- Rotate red dial clockwise until it stops
- Remove all air from shock by depressing valve with tool



Change air pressure when knee is fully extended

Step 2 - Initial Set Point

- Blue Lever set to Unlock position
- Rotate red dial (**4**) clicks counter-clockwise
- Add 10 psi to shock with supplied air pump (**Do Not Over-Tighten**)

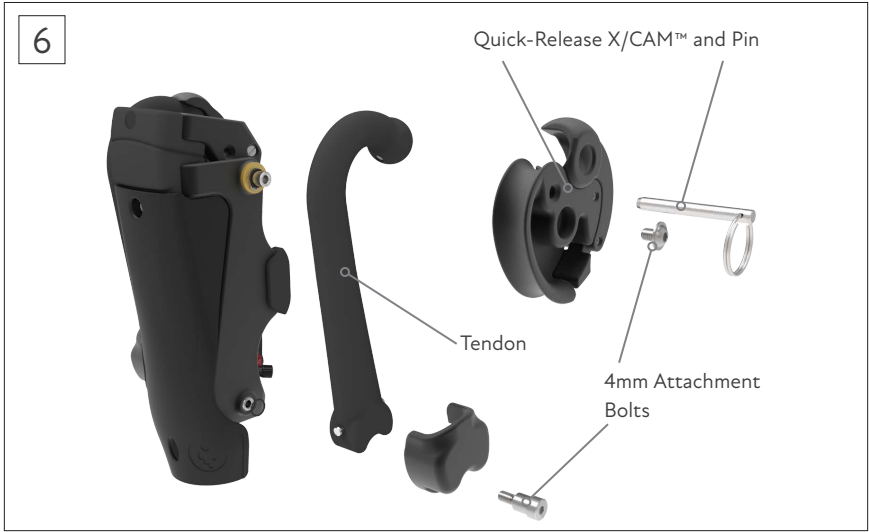
Step 3 - Ambulation Set Point

- Ensure patient is in a secure environment with parallel bars.
- Set extension by rotating red dial: 10 micro-adjust settings available
- Set flexion by adjusting air pressure to achieve desired ambulatory pace



Integrated Quick-Release X/CAM™ System

The proprietary X/CAM™ system transforms the the G3 Infinity Knee into a dynamic athletic prosthesis with increased fluidity and isotonic stability delivering smooth energy absorption and return.



One or both tendons may be used to deliver optimal flexion and extension resistance.

Crossflex™ wedges are designed to act like knee cartilage, providing a small amount of compression absorption reducing stress on the amputee's limb. User-installed to achieve the ideal preflexion angle and position for high intensity athletic activities.

- Crossflex™ wedges require no tools
- Inserted within the knee axis
- Preflexion set at 20° / 30° / 40°



When installing preflexion wedges, take care as to not tear the foam section that locks into the knee unit.



Note:

Polyurethane Wedges and 85 durometer-rated VED Bumpers available for separate purchase. Some user's require increased support at knee axis.



Design Features and Function

- Single-axis pneumatic/hydraulic shock with swing and stance control adjustments
- Variable Extension Dampening “VED” bumper system
- Removeable X/CAM™ system with urethane tendon
- Crossflex™ preflexion foam wedges set at 20° / 30° / 40°
- Removable rubber protective impact covers
- Ultra lightweight 6061-T aircraft aluminum frame with stainless steel inserts
- Oilite™ self-lubricating bushings:
 - * No maintenance with increased durability
 - * Smooth motion in light use or heavy impact situations
 - * All parts serviceable
- Dirt, Water, and Snow Proof
- Designed for multispeed ambulation and athletic activities
- Salt water resistant

This owner’s manual contains the latest information for the current model. Future product differences due to developments in the knee design cannot be ruled out completely.

All specifications are non-binding. LEFTSIDE Industries Inc. specifically reserves the right to modify or delete technical specifications, prices, colors, forms, materials, services, designs, equipment, etc., without prior notice and without specifying reasons, to adapt these to local conditions, as well as to stop production of a particular model without prior notice.

LEFTSIDE Industries Inc. accepts no liability for delivery options, deviations from illustrations and descriptions, as well as misprints and other errors.

Reproduction, even in part, as well as copying of all kinds, is permitted by user’s. All other reproduction permitted only with the express written permission of the copyright owner.

SRAM LLC (Shock) WARRANTY

EXTENT OF LIMITED WARRANTY

Except as otherwise set forth herein, SRAM warrants its products to be free from defects in materials or workmanship for a period of two years after original purchase. This warranty only applies to the original owner and is not transferable. Claims under this warranty must be made through the retailer where the product or the SRAM component was purchased. Original proof of purchase is required. Except as described herein, SRAM makes no other warranties, guarantees, or representations of any type (express or implied), and all warranties (including any implied warranties of reasonable care, merchantability, or fitness for a particular purpose) are hereby disclaimed.

LIMITATIONS OF WARRANTY

This warranty does not apply to products that have been incorrectly installed and/or adjusted according to the respective SRAM user manual. The SRAM user manuals can be found online at sram.com, rockshox.com, avidbike.com, truvativ.com, or zipp.com.



Always verify current version of warranty considerations with shock manufacturer SRAM LLC.



The Crossover™ knee is designed to be used in wet conditions, however, do not submerge shock for prolonged periods. To ensure a long lifespan the unit should be rinsed with clean water after exposure to salt water, resort snow (resort snow contains conditioning chemicals that may corrode parts), and in other conditions in which water quality is questionable. After rinsing the Crossover™ knee with fresh clean water, air dry, and lubricate shock with TRI-FLOW® SUPERIOR LUBRICANT or a suitable alternative. Always store dry.

